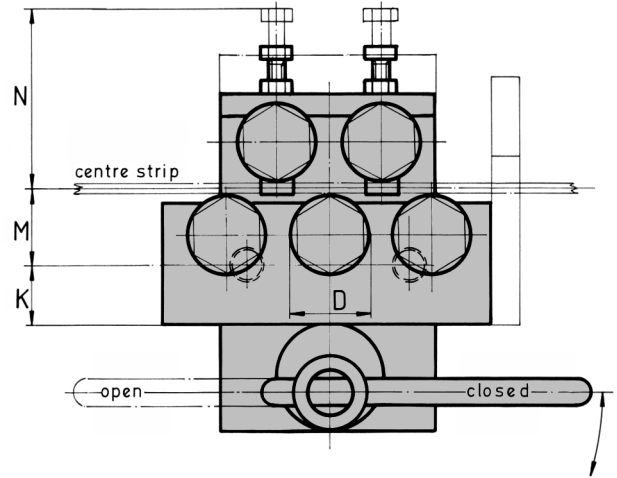


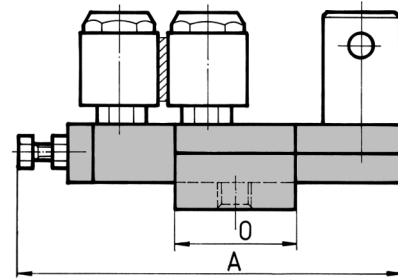
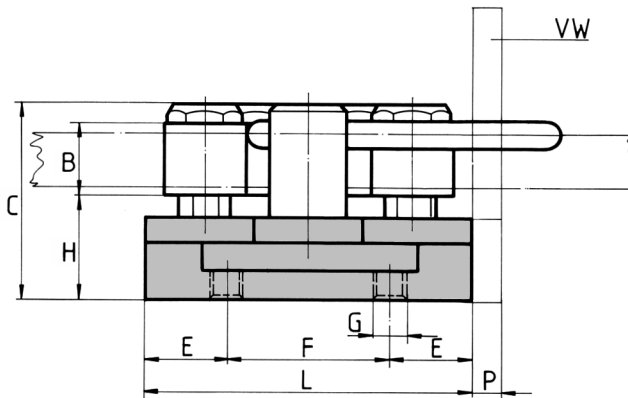
Techna STRAIGHTENERS (WIRE & STRIP)

EB - Strip and Flat Wire Straightener

For flattening strip and flat wire products.



EB5 - Five Roll Unit



EB Series	Product Range (mm) □						
Thickness	0.1 - 0.3	0.3 - 0.5	0.5 - 1.0	1.0 - 2.0	2.0 - 3.0	2.0 - 3.0	3.0 - 4.0
Width	10.0 Max.	20.0 Max.	30.0 Max.	40.0 Max.	50.0 Max.	60.0 Max.	70.0 Max.
Common Measurements							
A	100	156	161	204	204	209	312
B	10	23	30	40	50	60	70
C	44.5 / 53	62.5 / 70	70	84	93 / 84	104 / 84	150 / 130
D	17	22	30	40	45	52	80
E	17	27.5	33	40	50	50	40
G	M6	M10	M12	M12	M12	M12	M16
H	29.5	33.5	36	41	40	41	68
K	20	22.5	22.5	30	30	35	40
M	3.5	26.5	26.5	24	23	25	45
N	47	61	66	90	93.5	96.5	158
O	40	45	45	60	60	70	80
5 Roll	EB5-10.0	EB5-20.0	EB5-30.0	EB5-40.0	EB5-50.0	EB5-60.0	EB5-70.0
F	46	42	52	70	90	90	180
L	80	97	118	150	190	190	260
Kg	1	2.1	2.8	5.5	8.4	12.5	26
7 Roll	EB7-10.0	EB7-20.0	EB7-30.0	EB7-40.0	EB7-50.0	EB7-60.0	EB7-70.0
F	68	70	90	120	168	168	270
L	102	125	156	200	268	268	350
Kg	2	2.6	4	7.8	10.4	17.3	37.4